

Aquarius Septic System

Septic Sewerage System with Baffle

Designed in Germany - assembled in Australia

- | **Quality tested:** Graf CARAT underground tanks are TÜV safety-tested and ISO9001 production
- | **Light weight:** can also be installed in difficult local conditions without a crane.
- | **Tanks approved to Australian Standard AS1546.1**
- | **Reasonable purchase and installation costs.**
- | **Low maintenance:** maintenance or cleaning work can be performed through the dome shafts.
- | **Warranty :** Septic Systems are supported by a 15 year manufacturers warranty



No of Persons * (AS1546.1)	Total	Capacity	Length	Width	Height	Weight
1 to 5	3750L	3750L	2280mm	1755mm	2200mm	175kg
6 to 10	4800L	4800L	2280mm	1985mm	2430mm	220kg
10 to 13	6500L	6500L	2390mm	2190mm	2710mm	265kg

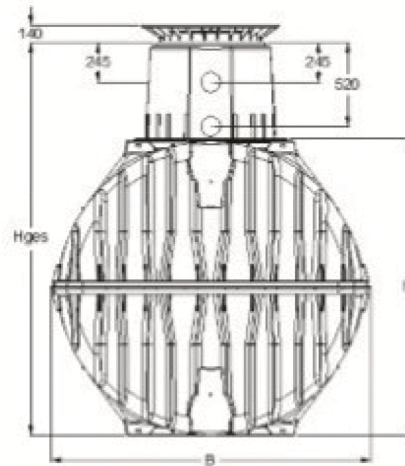
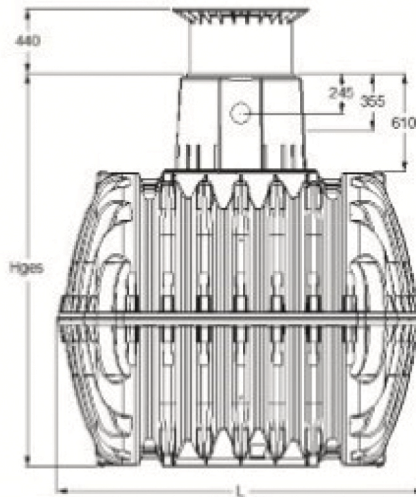
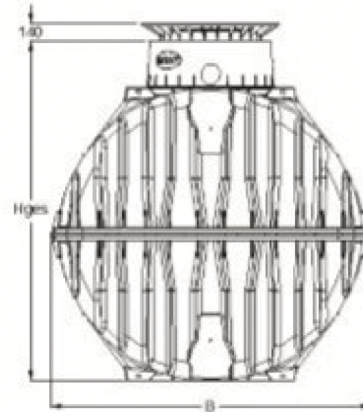
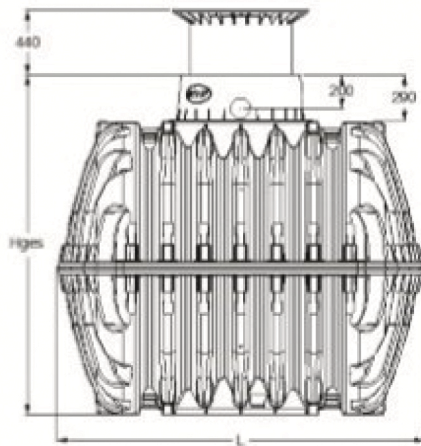


Tel 08 9240 8545

27 Harris Road,
Malaga, WA 6090

Email: admin@aquariuswastewater.com
www.aquariuswastewater.com.au

Septic System - Specs



TANKS	2700 litres	3750 litres	4800 litres	6500 litres
Weight	120 kg	175 kg	220 kg	265 kg
L	2080 mm	2280 mm	2280 mm	2390 mm
W	1565 mm	1755 mm	1985 mm	2190 mm
H	1400 mm	1590 mm	1820 mm	2100 mm
Hges	2010 mm	2200 mm	2430 mm	2710 mm
Hges with mini tank dome	1680 mm	1870 mm	2100 mm	2380 mm

